



## induction technology group ltd

Siskin Drive  
Coventry, CV3 4FJ

Tel: 024 7630 5386 Fax: 024 7630 7999

web: [www.itgairfilters.com](http://www.itgairfilters.com)  
e mail: [sales@itgairfilters.com](mailto:sales@itgairfilters.com)

# ARAB65FTC Ford Transit Custom Induction Kit



### Removal of stock Intake

- Unclip the vacuum connector and MAF connector from the airbox
- Remove the Sensor from mounting location on side of the airbox (8mm socket)
- Loosen hose clamp and remove rubber hose, unclip plastic inlet duct from base of the airbox.





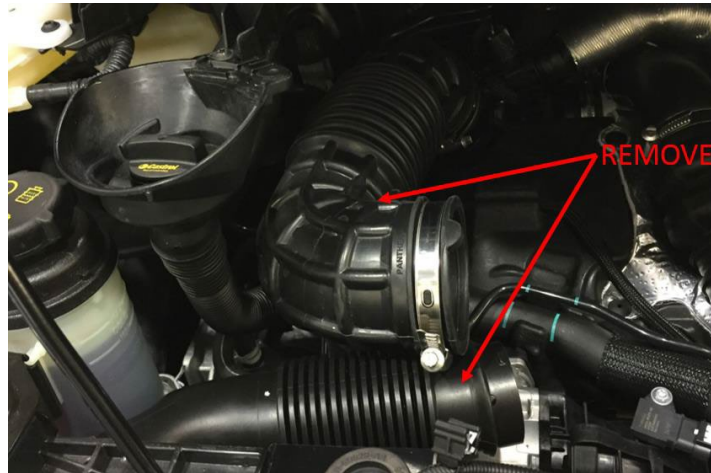
## induction technology group Ltd

Siskin Drive  
Coventry, CV3 4FJ

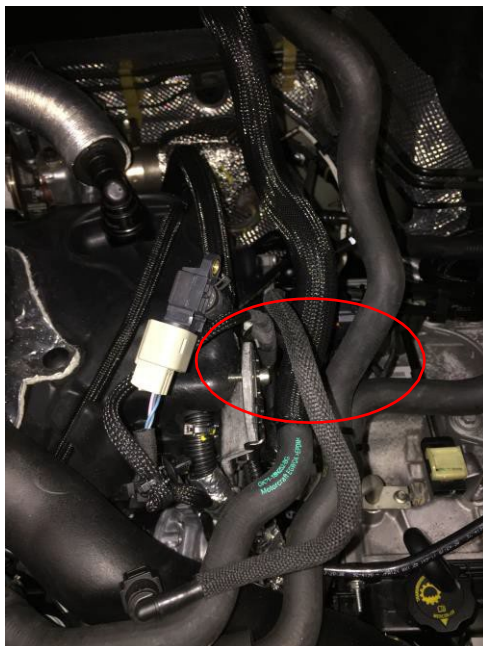
Tel: 024 7630 5386 Fax: 024 7630 7999

web: [www.itgairfilters.com](http://www.itgairfilters.com)  
e mail: [sales@itgairfilters.com](mailto:sales@itgairfilters.com)

- Remove the airbox by pulling upwards from the front, off the rubber grommets.
- Remove the rubber intake hose from vehicle and unclip and remove the plastic inlet duct from the front of the vehicle.



- Unclip the vac hose from mounting tab on engine hoist location and re-route to the location shown in the picture.



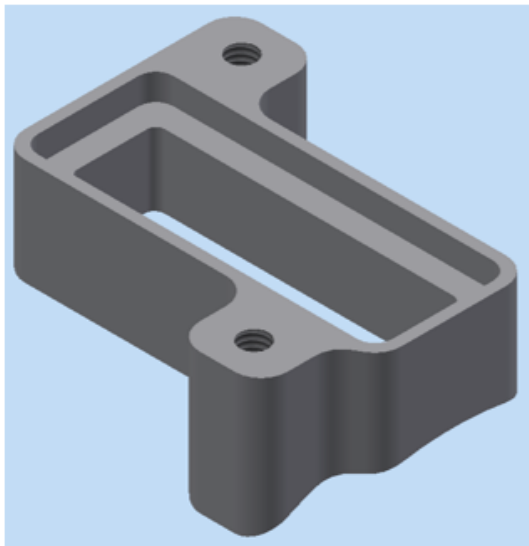
- Remove the airbox mounting grommets.



## Fitting ITG Kit

- Remove MAF sensor from the airbox and place in the new intake pipe. Take care not to overtighten. Note the below o-ring configurations.

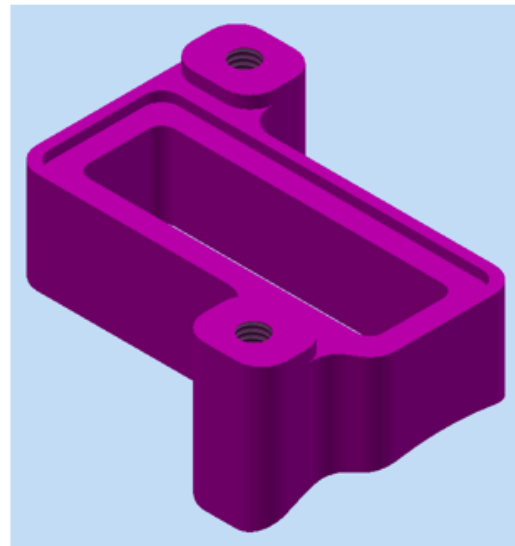
Old style MAF Block



Requires additional o-ring  
(supplied)  
19.5mm Bore, 25.5mm OD



New style MAF Block



No additional o-ring  
supplied – use original  
rectangular gasket





## induction technology group ltd

Siskin Drive  
Coventry, CV3 4FJ

Tel: 024 7630 5386 Fax: 024 7630 7999

web: [www.itgairfilters.com](http://www.itgairfilters.com)  
e mail: [sales@itgairfilters.com](mailto:sales@itgairfilters.com)

- Pre-assemble the silicone elbow and MAF pipe in the orientation shown in the picture ensuring the logo is in the orientation shown, fit to the vehicle and loosely tighten hose clamps as the alignment of the assembly may need to be adjusted later.







**induction technology group ltd**

Siskin Drive  
Coventry, CV3 4FJ

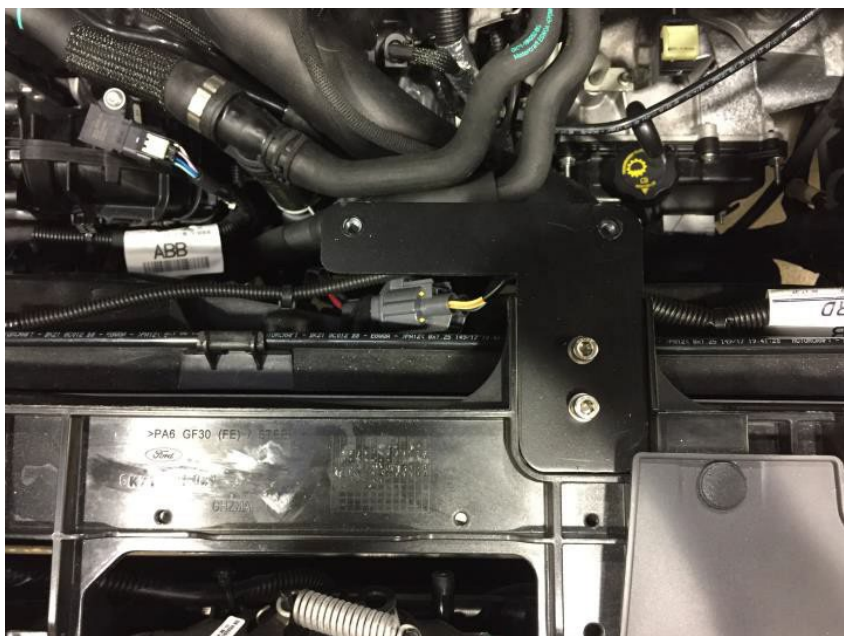
Tel: 024 7630 5386 Fax: 024 7630 7999

web: [www.itgairfilters.com](http://www.itgairfilters.com)  
e mail: [sales@itgairfilters.com](mailto:sales@itgairfilters.com)

- Fit the sensor mounting bracket in the location shown and attach the sensor.



- Fit the two-piece mounting bracket clamping it around the existing airbox mounting location.





## induction technology group ltd

Siskin Drive  
Coventry, CV3 4FJ

Tel: 024 7630 5386 Fax: 024 7630 7999

web: [www.itgairfilters.com](http://www.itgairfilters.com)  
e mail: [sales@itgairfilters.com](mailto:sales@itgairfilters.com)

- Join the airbox to the pipework using the 50mm silicone joiner and secure the airbox using the two airbox retaining straps.



- Ensure the assembly is aligned and tighten the hose clamps.
- Finally connect the MAF sensor cable and vac spout.